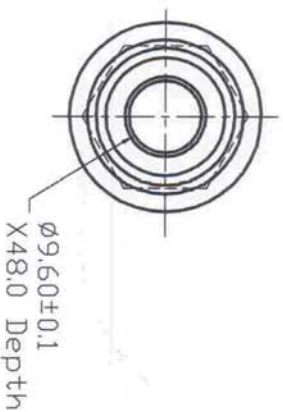
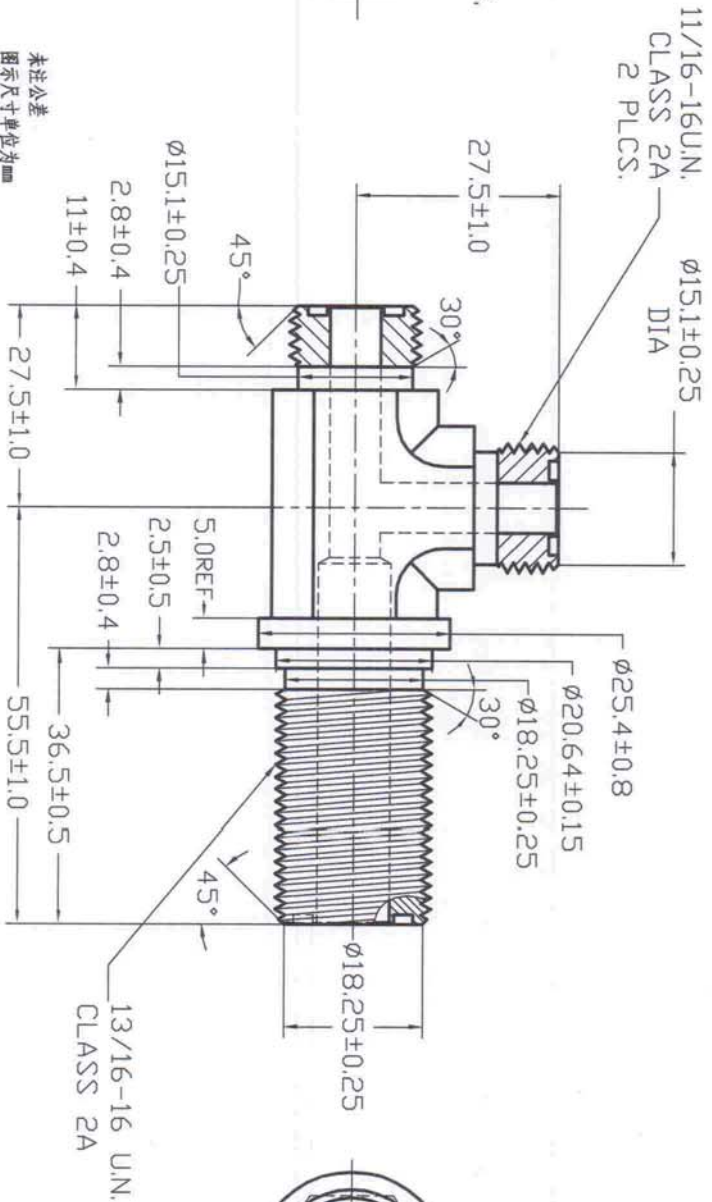
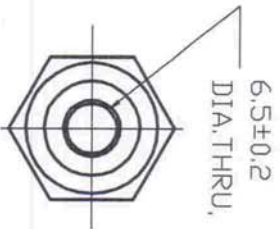
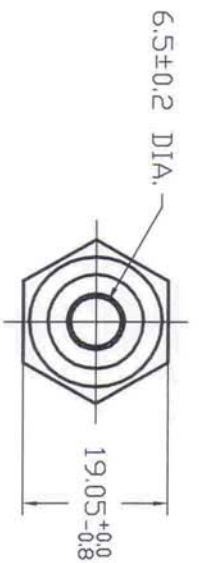


REV	DATE	REVISION DETAILS	APPD
更改号	日期	更改内容	审核并批准



UNLESS SPECIFIED
ALL DIMENSIONS IN mm
MACHINED SURFACES Ra=3.2um
ANGLE TOLERANCES ±1°
DECIMAL TOLERANCES:
.X: ±0.5
.XX: ±0.25
.XXX: ±0.127

未注公差
图示尺寸单位为mm
表面粗糙度Ra=3.2um
角度公差±1°
小数部分公差:

.X: ±0.5
.XX: ±0.25
.XXX: ±0.127

MATERIAL Chinese steel 45

FINISH

Remove all sharp edges, burrs, slivers and swarf, break all edges 0.127-0.254mm, 去除所有毛刺, 铁屑等残留物, 锐边倒钝0.127-0.254mm.
ZINC PLATED WITH TRIVALENT CHROMATE AND NO RED CORROSION IN 96 HOURS SALT SPRAY TEST. 镀三价铬锌, 微白色, 96小时盐雾试验无红锈.

PART No
零件名
40946-8FSSBH-6FS-6FS

SCALE:

APPD: Tangfa Lin
批准 2013.10.03

DATE: 08/16/13
日期

CHK: L.Junbiao
审核 2013.10.03

DRN: Tangfa Lin
制图 2013.10.03

NTS

Zhangjian